

**DATA SHEET**

**RF+Bluetooth Single Color Remote Controller**

**Item number**

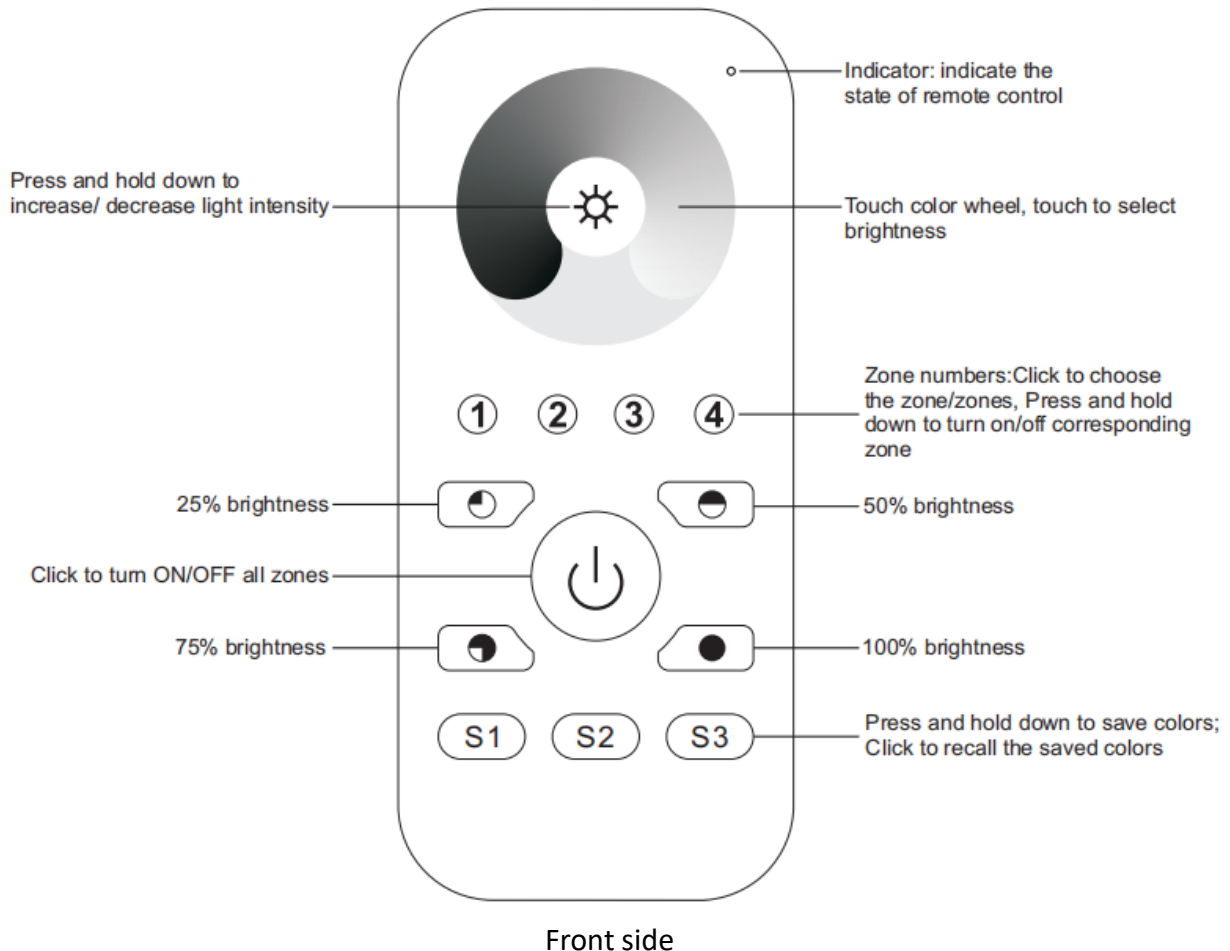
CT-DL-1019



- Control 4 zones of RF+Bluetooth receivers separately.
- Single color controller
- High sensitive & high stable, fast & precise brightness control.
- Compatible with all universal series RF+Bluetooth receivers
- 1 receiver can be paired by max 8 different remote controls.
- Waterproof grade: IP20



**Function Introduction**

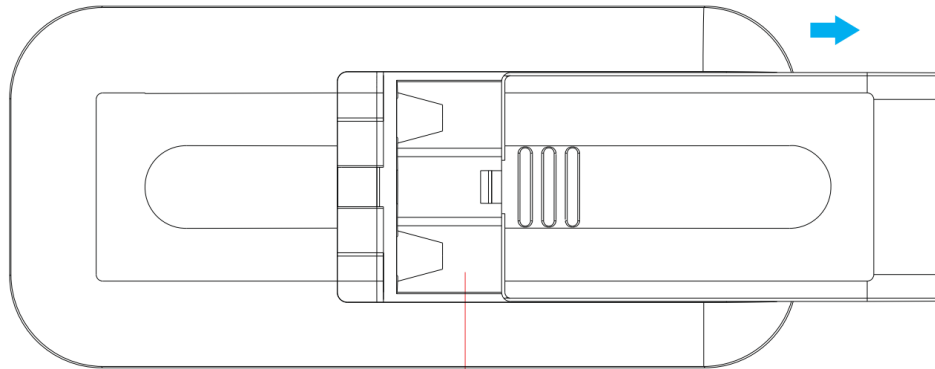


**DATA SHEET**

**RF+Bluetooth Single Color Remote Controller**

**Item number**

CT-DL-1019



4.5V(3xAAA battery)

Bottom side

**Technical data**

**GENERAL**

Output	RF+Bluetooth signal
Operation Frequency	2.4GHz
Power Supply	4.5V(3xAAA battery)
Operating temperature	0-40°C
Relative humidity	8% to 80%
Dimensions	120x55x17mm

**Safety & Warnings**

- This device contains AAA batteries that shall be stored and disposed properly.
- DO NOT expose the device to moisture.

**DATA SHEET**

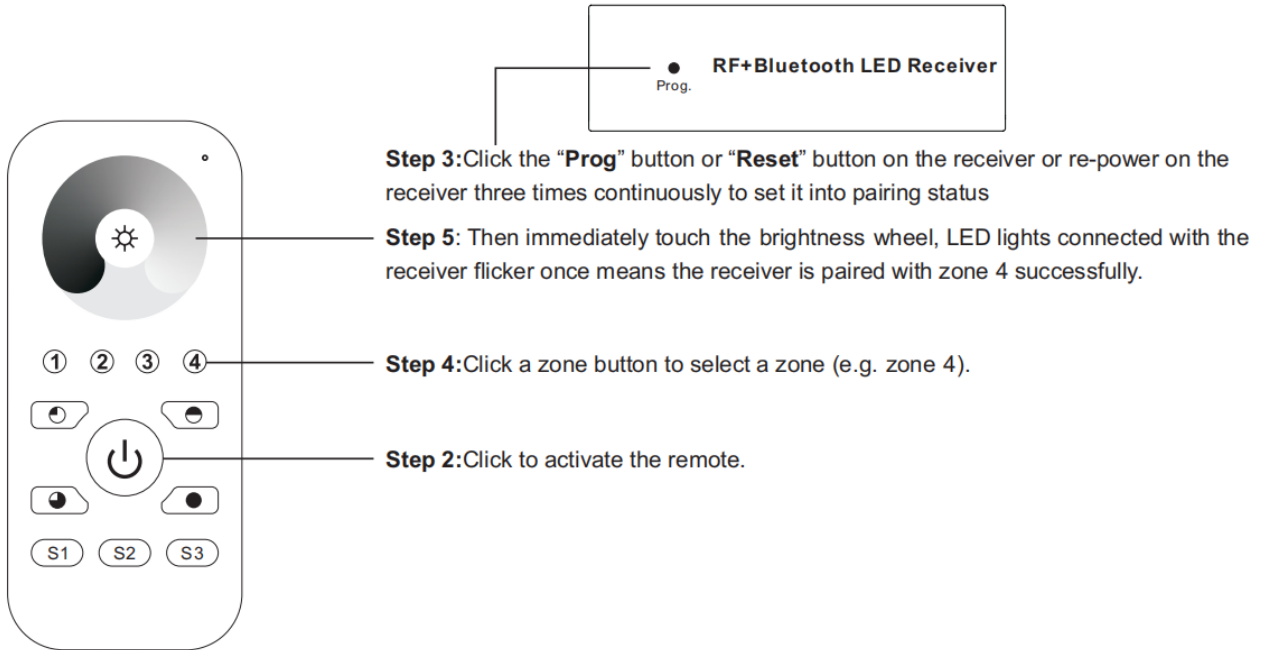
**RF+Bluetooth Single Color Remote Controller**

**Item number**

CT-DL-1019

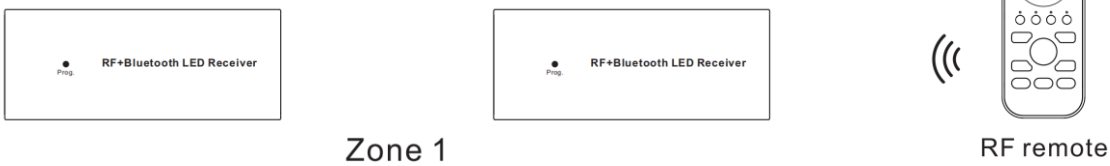
**Pair with RF+Bluetooth Receiver**

**Step 1:** Do wiring the receiver according to wiring diagram (please refer to the instruction of RF+Bluetooth receiver that you would like to pair with).

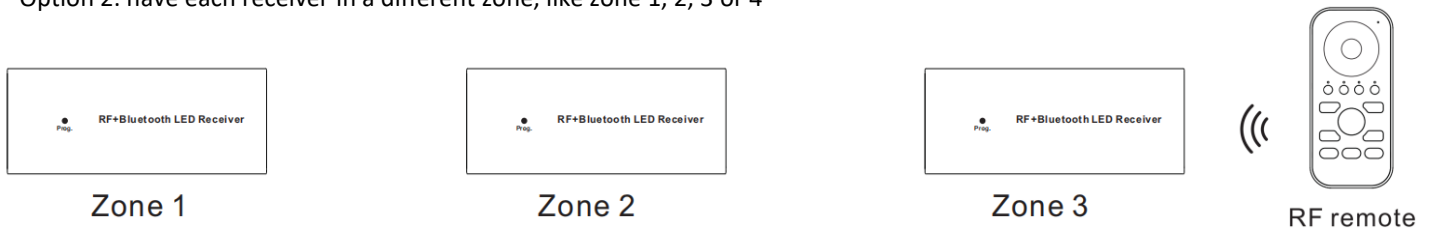


**If you use multiple receivers, you have two choices:**

Option 1: have all the receivers in the same zone, like zone 1



Option 2: have each receiver in a different zone, like zone 1, 2, 3 or 4



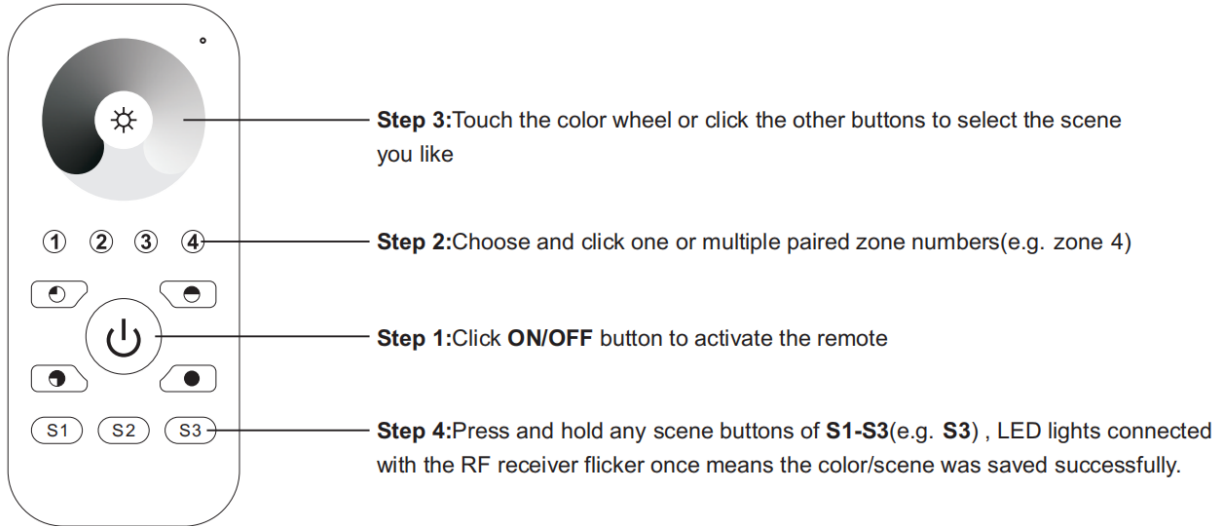
## DATA SHEET

## RF+Bluetooth Single Color Remote Controller

### Item number

CT-DL-1019

### Save color / scene / mode



### Recall the saved colors / scenes

